

# VENTO EXPERT A50-1 S Pro

## Heat and energy recovery single-room units

VENTO Expert A50-1 S Pro is the Single Room Ventilation Solution.

Arrangement of efficient energy-saving supply and exhaust single-room ventilation in flats, houses, cottages, social and commercial premises. Reducing heat losses caused by ventilation due to heat recovery. Humidity balance and regulated air exchange create individually controlled microclimate. Coordinated network based on several integrated single-room ventilation units with central control.



### Design

- Aluminium or stainless steel outer hood: Modern design that fits any interior and exterior / 100% corrosion proof.
- Plug-&-Play installation: No special skills required / No balancing needed / Through the wall installation. Compact unit design.
- Almost no maintenance required: Washable filter and core.
- MERV6 and MERV14 air purification.
- Antibacterial treatment of ERV core and filters.
- Automatic shutters.

### Motor

- Reversible fan with EC motor.

### Performance

Parameters	VENTO Expert A50-1 S Pro		
	I	II	III
Speed			
Voltage [V / 50 (60) Hz]		100-230	
Power [W]	3.61	4.15	5.20
Current [A]	0.025	0.030	0.039
RPM [min <sup>-1</sup> ]	800	1300	1900
Air flow in ventilation mode [CFM (l/s)]	9 (4)	18 (8)	29 (14)
Air flow in heat recovery mode [CFM (l/s)]	5 (2)	9 (4)	15 (7)
SFP [W/l/s]	1.73	1.00	0.75
Filter	MERV6 (Option: MERV14 PM2.5 > 99 %*)		
Transported air temperature [°F]	+5...+104		
Sound pressure level at 1 ft [dBA (Sones)]	20 (0.6)	27 (1.0)	30 (1.2)
Sound pressure level at 3 ft [dBA (Sones)]	11 (0.3)	18 (0.5)	21 (0.6)
Outdoor sound pressure attenuation [dBA (Sones)] in accordance with DIN EN 20140	42 (2.5)		
Regeneration efficiency [%] in accordance with DIBt LÜ-A 20	97	90	82
SEC Class	A		
Ingress Protection Rating	IP24		

\* maximum air flow 24 CFM

### Heat and energy recovery

- Ceramic ERV core provides one of the best recovery efficiency on the market due to innovative hexagonal structure of the core cells.

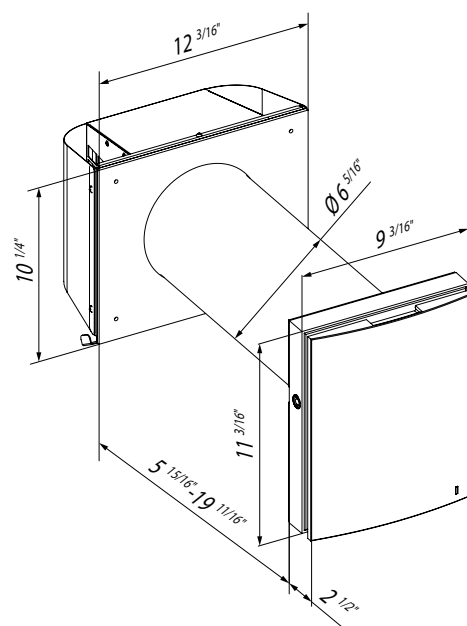
### Control

- Control of the unit operation mode is performed by means of sensor control panel located on the unit casing or a remote controller. The unit is equipped with a humidity sensor for indoor humidity control. Connection of the units in series ensures balanced ventilation. First unit in the chain becomes the master one. Ventilation mode of the entire system can be controlled by means of the control panel on the master unit. A signal from the remote control is received by the master unit only.

### Suitable for

- Bathroom / kitchen / apartments / cottages / small offices

### Dimensions



MODEL	QUANTITY	COMMENTS	PROJECT
			location:
			architect:
			engineer:
			contractor:
			submitted by: