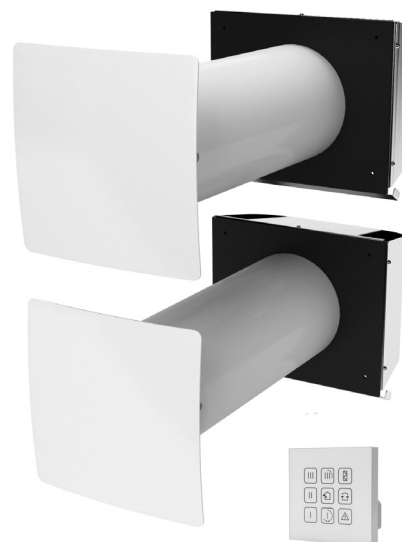


# VENTO Eco2 A50 S Pro

## Heat and energy recovery single-room units

VENTO Eco2 A50 S Pro is the Single Room Ventilation Solution. Arrangement of efficient energy-saving supply and exhaust single-room ventilation in flats, houses, cottages, social and commercial premises. Air purification with optional MERV14 filter PM2.5 99 %. Protection from outdoor noise. Reducing heat losses caused by ventilation due to heat recovery. Humidity balance and regulated air exchange create individually controlled microclimate.



### Design

- VENTO Eco2 A50 S Pro consist of two ventilation units and one control panel.
- The unit is designed for through-the-wall installation inside a prepared hole in an outer wall of the building.
- Aluminium outer hood: Modern design that fits any interior and exterior / 100% corrosion proof.
- Plug-&-Play installation: No special skills required / No balancing needed / Through the wall installation. Compact unit design.
- Multifunctional Wireless Remote Control.
- Almost no maintenance required: Washable filter and core.
- MERV6 air purification.
- Ceramic ERV core.
- Internal grille with manually actuated shutters and a decorative panel.

### Performance

Parameters	VENTO Eco2 A50 S Pro		
	I	II	III
Speed			
Voltage [V / 50 (60) Hz]		100-230	
Power [W]	2.07	4.15	10.10
Current [A]	0.030	0.049	0.098
RPM [min <sup>-1</sup> ]	1030	1760	2690
Air flow in ventilation mode [CFM (l/s)]	9 (4)	18 (8)	29 (14)
Air flow in heat recovery mode [CFM (l/s)]	9 (4)	18 (8)	29 (14)
SFP [W/l/s]	0.50	0.50	0.73
Filter	MERV6 (option: MERV14 PM2.5 > 99 %*)		
Transported air temperature [°F]	-22...+122		
Sound pressure level at 1 ft [dBA] In accordance with ISO 3741: 2004	22	29	32
Sound pressure level at 3 ft [dBA] In accordance with ISO 3741: 2004	13	20	23
Outdoor sound pressure attenuation [dBA] according to DIN EN 20140	41		
Regeneration efficiency [%] In accordance with DIBt LÜ-A 20	92	86	78
SEC Class	A		
Ingress protection rating	IP24		

\* maximum air flow 24 CFM

### Heat and energy recovery

- Ceramic ERV core provides one of the best recovery efficiency on the market due to innovative hexagonal structure of the core cells.

### Motor

- Reversible fan with EC motor.

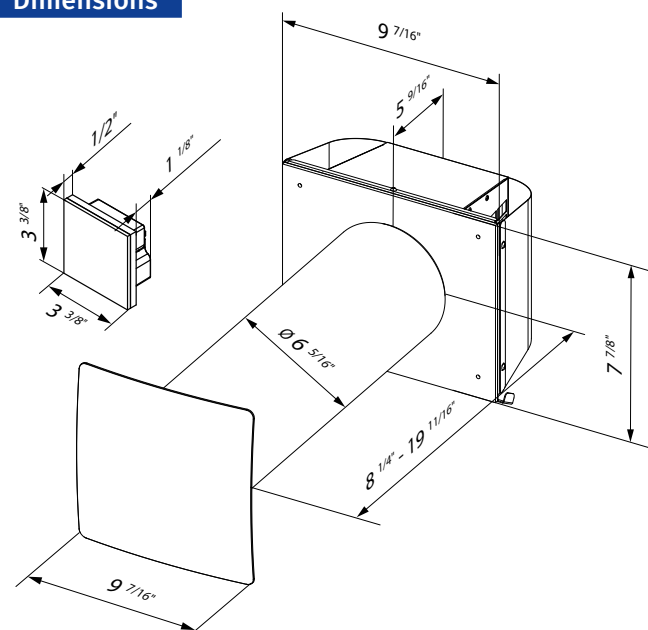
### Control

- Control of the unit operation mode is performed by means of the sensor control panel. One control panel with sensor buttons is able to operate up to two units. Low voltage (12V) power supply between control panel and VENTO Eco units.

### Suitable for

- Bathroom / kitchen / apartments / cottages / small offices.

### Dimensions



MODEL	QUANTITY	COMMENTS	PROJECT
			location:
			architect:
			engineer:
			contractor:
			submitted by: