

KOMFORT EC SB550-E

Heat and energy recovery air handling units



Design

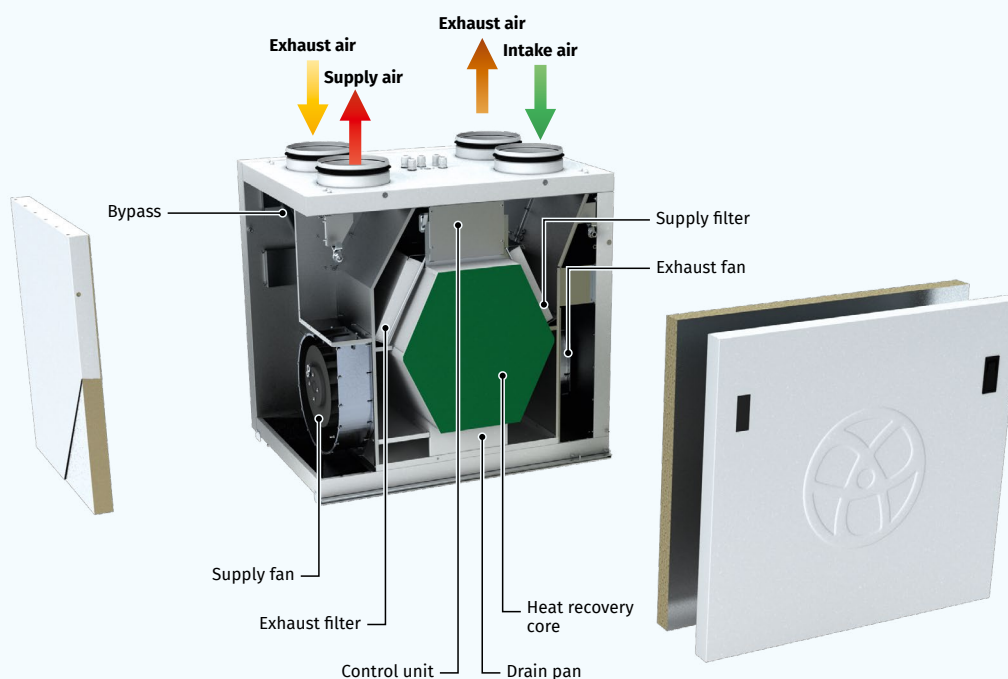
- The casing made of high-quality polymer coated steel, internally filled with a heat- and sound-insulated layer of mineral wool.
- The flanges are located at the top of the unit, and are rubber sealed for airtight connection to the air ducts.
- The units are equipped with either hinged service panel for easy maintenance operations.

Air filtration

- The built-in MERV13 supply filter and MERV8 exhaust filter provide efficient air filtration.

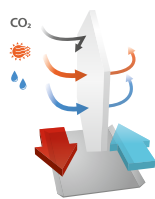
Fans

- High-efficient external rotor EC motors and centrifugal impellers are used for air supply and exhaust.
- Dynamically balanced impellers.



Heat recovery

- The **KOMFORTECSB550-E** units have a counter-flow enthalpy membrane heat recovery core that recovers heat and humidity. Due to humidity recovery the enthalpy heat recovery core produces no condensate.



Bypass

- The **KOMFORT EC SB550-E** models are equipped with a 100 % bypass which can be opened if there is a need to cool down the ventilated area with cool intake air.

Control and automation

- KOMFORT EC SB550-E S11** units incorporate an integrated control system with the S11 wall-mounted control panel with an LCD display.
- KOMFORT EC SB550-E S14** units incorporate an integrated control system with the S14 wall-mounted control panel with a LED indication. The units are equipped with the Type B USB Connector for advanced options setting in a special software. The standard delivery set includes a 33 feet cable for connection of the unit and the control panel.

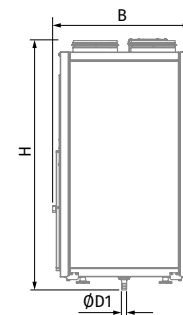
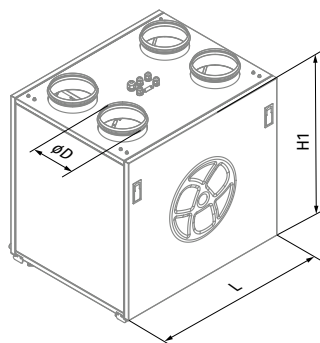


Mounting

- The units are designed for wall and floor mounting.
- The access for unit and filter maintenance is available from the front panel.
- During mounting stage the front and the back panels can be reversed providing either left-handed or right-handed unit mounting.

Overall dimensions [in]

Model	D	D1	B	H	H1	L
KOMFORT EC SB550-E	7 13/16"	11/16"	29 3/16"	29 13/16"	26 9/16"	32 5/8"



Technical data

Parameters	KOMFORT EC SB550-E
Voltage [V / 50 (60) Hz]	120
Power [W]	333
Current [A]	2.3
Maximum air flow [CFM]	441
RPM [min ⁻¹]	3230
Sound pressure level at 10 ft [dBA]	26
Transported air temperature [°F]	-13...+140
Casing material	polymer coated steel
Insulation	1 9/16", mineral wool
Exhaust filter	MERV8
Supply filter	MERV13 (MERV8 optional)
Connected air duct diameter [in]	7 7/8
Weight [lb]	183
Heat recovery efficiency [%]	72-92
Heat recovery core type	counter-flow
Heat recovery core material	enthalpy membrane
SEC class	A
ErP	2016, 2018

MODEL	QUANTITY	COMMENTS	PROJECT
			location:
			architect:
			engineer:
			contractor:
			submitted by: