

DESCRIPTION



HRV EC DR 120

HEAT RECOVERY VENTILATOR

HRV EC DR 120 are the complete whole house ventilation system designed to bring a continuous supply of fresh air into the house while exhausting an equal amount of stale air.

Five year warranty.

CASING

Steel casing is covered with high-quality multilayer aluminum and zinc alloy to prevent corrosion.

The casing is equipped with a switch to turn the ventilator off when the service panel is opened.

FILTER

Washable MERV 6 air filters in exhaust and supply air streams. Optional supply: anti grease aluminum filter.

FANS

High efficient electronically commutated motors with external motor and impeller with forward curved blades. EC motors are featured with high performance and total speed controllable range. The electric motors and impellers are dynamically balanced.

HEAT RECOVERY CORE

Aluminum cross-flow core (HRV EC DR 120) ensures efficient heat recovery.



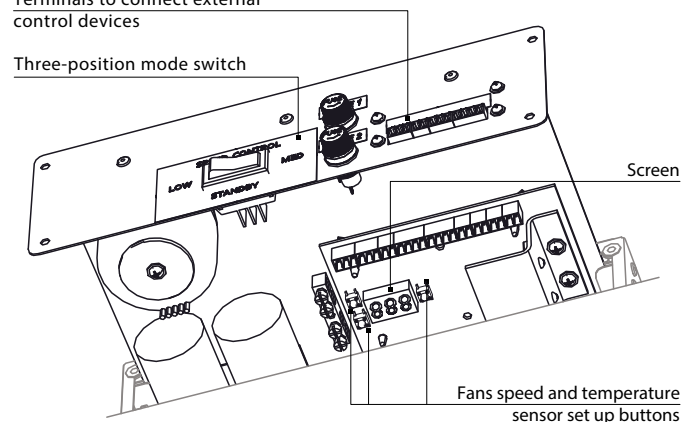
DEFROST SYSTEM

Recirculation or only exhaust defrost modes are available.

CONTROL BOARD

Terminals to connect external control devices

Three-position mode switch



The unit incorporates an integrated control system with following functions:

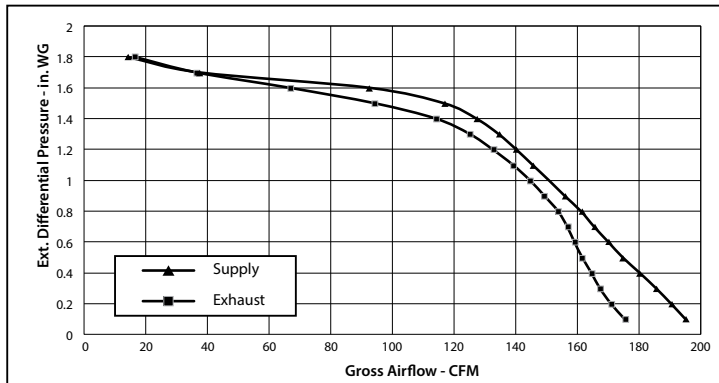
- Operation mode switch.
- Airflow balancing enabled by supply and exhaust fan independent speed adjustment from 0 to 100% (percentage is displayed on built in screen).
- Automatic recovery core frost protection.
- External control device connection (up to 5 at the same time).

SUITABLE FOR:

Bathroom / kitchen / apartments / cottages / small offices.

PERFORMANCE

External Static Pressure		Net Supply Air Flow		Gross Air Flow				Power
				Supply		Exhaust		
Pa	in. W.G.	L/s	CFM	L/s	CFM	L/s	CFM	Watts
25	0.1	89	189	92	195	83	175	204
50	0.2	87	185	90	190	81	171	201
75	0.3	85	180	88	185	79	167	200
100	0.4	82	175	85	180	78	164	198
125	0.5	80	169	82	175	76	161	196
150	0.6	78	165	80	170	75	159	194
175	0.7	76	160	78	165	74	157	193
200	0.8	74	156	76	161	73	154	190
225	0.9	68	144	74	156	70	149	188
250	1	66	140	71	151	68	144	186
275	1.1	64	135	69	145	66	139	183
300	1.2	61	128	66	140	63	132	180
325	1.3	57	121	63	134	59	125	176
350	1.4	52	110	60	127	54	114	176
375	1.5	43	91	55	117	44	94	164
400	1.6	30	64	44	92	31	67	151
425	1.7	17	35	18	37	17	36	132
450	1.8	8	16	7	14	8	16	128

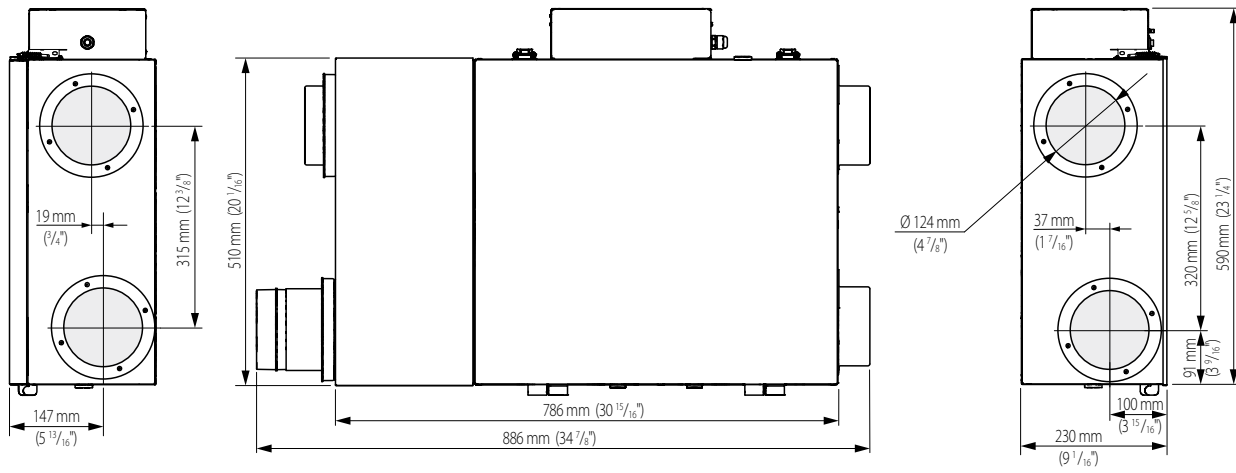


SOUND
1.9 Sones (30 L/s @ 50 Pa)

MODE	SUPPLY TEMPERATURE		NET AIR FLOW		AVERAGE POWER	SENSIBLE RECOVERY EFFICIENCY	APPARENT SENSIBLE EFFECTIVENESS	NET MOISTURE TRANSFER
	°C	°F	L/s	CFM	(Watts)	SRE (%)	ASEF (%)	
HEATING	0	32	31	66	23	62	69	0.05
	0	32	45	95	50	60	67	0.04
	0	32	50	106	66	58	65	0.04
COOLING	35	95	31	66	23	37	61	0.04

Model	Volts	Max. Watts	Max. Amps
HRV EC DR 120	120V, 60Hz	198	2.5

DIMENSIONS



MODEL	QUANTITY	COMMENTS	PROJECT
			location:
			architect:
			engineer:
			contractor:
			submitted by:

