

DESCRIPTION



ERV DR 150

ENERGY RECOVERY VENTILATOR

ERV DR 150 are the complete whole house ventilation system designed to bring a continuous supply of fresh air into the house while exhausting an equal amount of stale air.

Five year warranty.

CASING

Steel casing is covered with high-quality multilayer aluminium and zinc alloy to prevent corrosion. The casing is equipped with a switch to turn the ventilator off when the service panel is opened.

FILTER

Washable MERV 6 air filters in exhaust and supply air streams. Optional supply: anti grease aluminum filter.

FANS

The unit is equipped with supply and exhaust centrifugal fans with backward curved blades and build-in thermal overheating protection with automatic restart. The electric motors and impellers are dynamically balanced.

ENERGY RECOVERY CORE

Enthalpic core (ERV DR 150) provides both heat&humidity recovery. For enthalpic core no drain required.



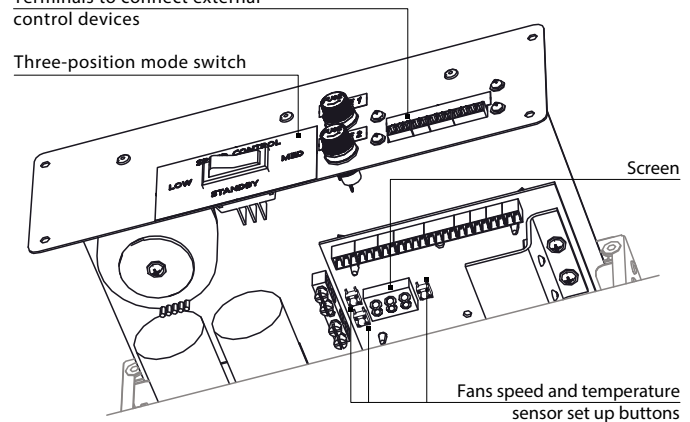
DEFROST SYSTEM

Recirculation or only exhaust defrost modes are available.

CONTROL BOARD

Terminals to connect external control devices

Three-position mode switch



The unit incorporates an integrated control system with following functions:

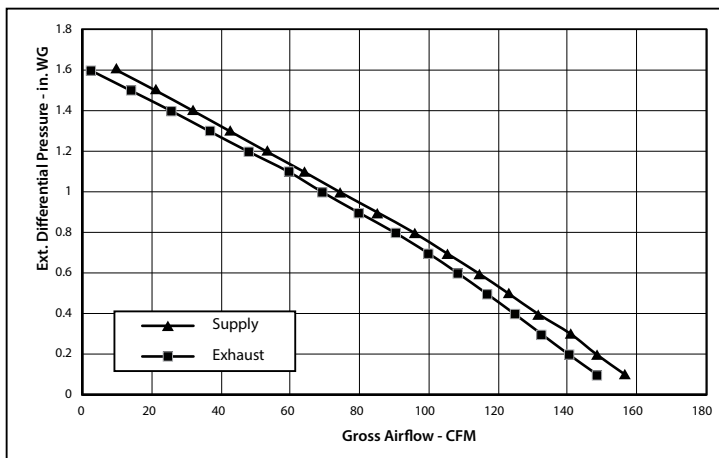
- Operation mode switch.
- Airflow balancing enabled by supply and exhaust fan independent speed adjustment from 0 to 100% (percentage is displayed on built in screen).
- Automatic recovery core frost protection.
- External control device connection (up to 5 at the same time).

SUITABLE FOR:

Bathroom / kitchen / apartments / cottages / small offices.

PERFORMANCE

External Static Pressure		Net Supply Air Flow		Gross Air Flow				Power
				Supply		Exhaust		
Pa	in. W.G.	L/s	CFM	L/s	CFM	L/s	CFM	Watts
25	0.1	72	152	74	157	70	149	192
50	0.2	68	144	70	148	66	140	192
75	0.3	65	137	67	141	63	132	191
100	0.4	60	127	62	131	59	125	191
125	0.5	56	119	58	123	55	117	190
150	0.6	52	111	54	114	51	108	190
175	0.7	48	102	50	105	47	100	189
200	0.8	44	93	45	96	43	90	188
225	0.9	36	77	40	85	38	79	187
250	1	32	67	35	74	33	69	185
275	1.1	27	57	30	64	28	59	184
300	1.2	22	46	25	53	23	48	183
325	1.3	17	35	20	42	17	36	181
350	1.4	12	24	15	32	12	25	179
375	1.5	6	13	10	21	7	14	178
400	1.6	1	2	5	10	1	2	176

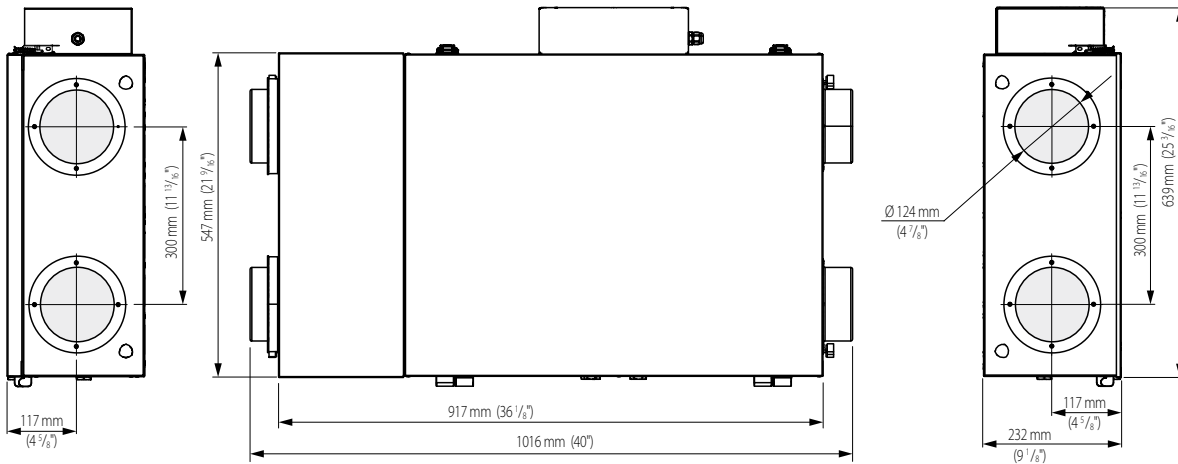


SOUND
1.9 Sones (30 L/s @ 50 Pa)

MODE	SUPPLY TEMPERATURE		NET AIR FLOW		AVERAGE POWER	SENSIBLE RECOVERY EFFICIENCY	APPARENT SENSIBLE EFFECTIVENESS	NET MOISTURE TRANSFER
	°C	°F	L/s	CFM	(Watts)	SRE (%)	ASEF (%)	
HEATING	0	32	30	64	67	67	83	0.47
	0	32	45	94	64	64	78	0.38
	0	32	50	105	62	62	76	0.36
COOLING	35	95	31	65	101	41.5	68	0.42

Model	Volts	Max. Watts	Max. Amps
ERV DR 150	120V, 60Hz	192	1.6

DIMENSIONS



MODEL	QUANTITY	COMMENTS	PROJECT
			location:
			architect:
			engineer:
			contractor:
			submitted by:

