

## DESCRIPTION



## HRV DR 120 HEAT RECOVERY VENTILATOR

HRV DR 120 are the complete whole house ventilation system designed to bring a continuous supply of fresh air into the house while exhausting an equal amount of stale air.

Five year warranty.

## CASING

Steel casing is covered with high-quality multilayer aluminium and zinc alloy to prevent corrosion.

The casing is equipped with a switch to turn the ventilator off when the service panel is opened.

## FILTER

Washable MERV 6 air filters in exhaust and supply air streams.  
Optional supply: anti grease aluminum filter.

## FANS

The unit is equipped with supply and exhaust centrifugal fans with forward curved blades and built-in thermal overheating protection with automatic restart. The electric motors and impellers are dynamically balanced.

## HEAT RECOVERY CORE

Polystyrene core ensures efficient heat recovery.



## DEFROST SYSTEM

Recirculation or only exhaust defrost modes are available.

## SUITABLE FOR:

Bathroom / kitchen / apartments / cottages / small offices.

## CONSTANT FLOW

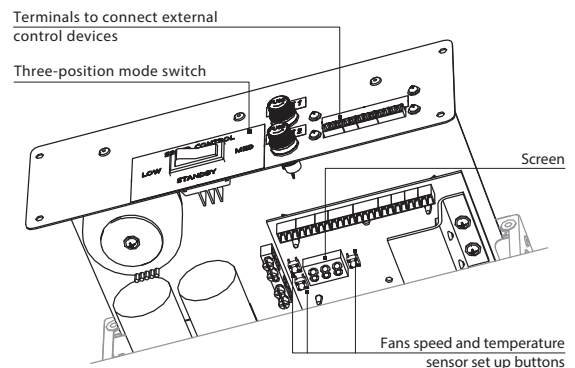
HRV DR 120 CF has an automatic constant air flow control function to keep the air flow in supply and exhaust air ducts constant even in case of variable air resistance.

This function is provided with the integrated air flow control units. The electronic sensors convert the actual air flow to the analogue signal that is proportional to the air flow in the air duct. These signals are transmitted to the controller that controls the rotation speed of a respective fan in such a way that the actual rotations speed is equal to the set value.

## MANUAL BALANCING

Manual balancing is a standard balancing system. Fan speed manually adjusted by operating on units controller (built-in control board with independent fan speed adjustment 0 %-100 %).

## CONTROL BOARD

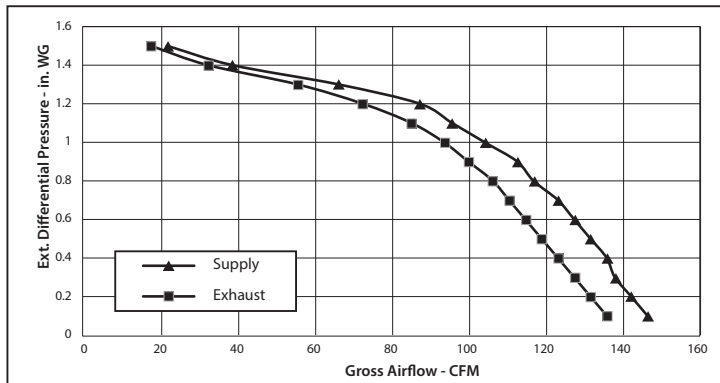


The unit incorporates an integrated control system with following functions:

- Operation mode switch.
- Airflow balancing enabled by supply and exhaust fan independent speed adjustment from 0 to 100 % (percentage is displayed on built-in screen).
- Automatic recovery core frost protection.
- External control device connection (up to 5 at the same time).

## PERFORMANCE

| External Static Pressure |          | Net Supply Air Flow |     | Gross Air Flow |     |         |     | Power |
|--------------------------|----------|---------------------|-----|----------------|-----|---------|-----|-------|
|                          |          |                     |     | Supply         |     | Exhaust |     |       |
| Pa                       | in. W.G. | L/s                 | CFM | L/s            | CFM | L/s     | CFM | Watts |
| 25                       | 0.1      | 67                  | 142 | 69             | 146 | 64      | 136 | 158   |
| 50                       | 0.2      | 65                  | 138 | 67             | 142 | 62      | 131 | 157   |
| 75                       | 0.3      | 63                  | 134 | 65             | 138 | 60      | 127 | 156   |
| 100                      | 0.4      | 62                  | 132 | 64             | 136 | 58      | 123 | 155   |
| 125                      | 0.5      | 60                  | 127 | 62             | 131 | 56      | 119 | 153   |
| 150                      | 0.6      | 58                  | 123 | 60             | 127 | 54      | 114 | 152   |
| 175                      | 0.7      | 56                  | 119 | 58             | 123 | 52      | 110 | 151   |
| 200                      | 0.8      | 53                  | 113 | 55             | 117 | 50      | 106 | 149   |
| 225                      | 0.9      | 51                  | 109 | 53             | 112 | 47      | 100 | 148   |
| 250                      | 1        | 48                  | 101 | 49             | 104 | 44      | 93  | 146   |
| 275                      | 1.1      | 44                  | 92  | 45             | 95  | 40      | 85  | 143   |
| 300                      | 1.2      | 40                  | 84  | 41             | 87  | 34      | 72  | 141   |
| 325                      | 1.3      | 30                  | 64  | 31             | 66  | 26      | 55  | 135   |
| 350                      | 1.4      | 17                  | 37  | 18             | 38  | 15      | 32  | 130   |
| 375                      | 1.5      | 10                  | 21  | 10             | 21  | 8       | 17  | 128   |

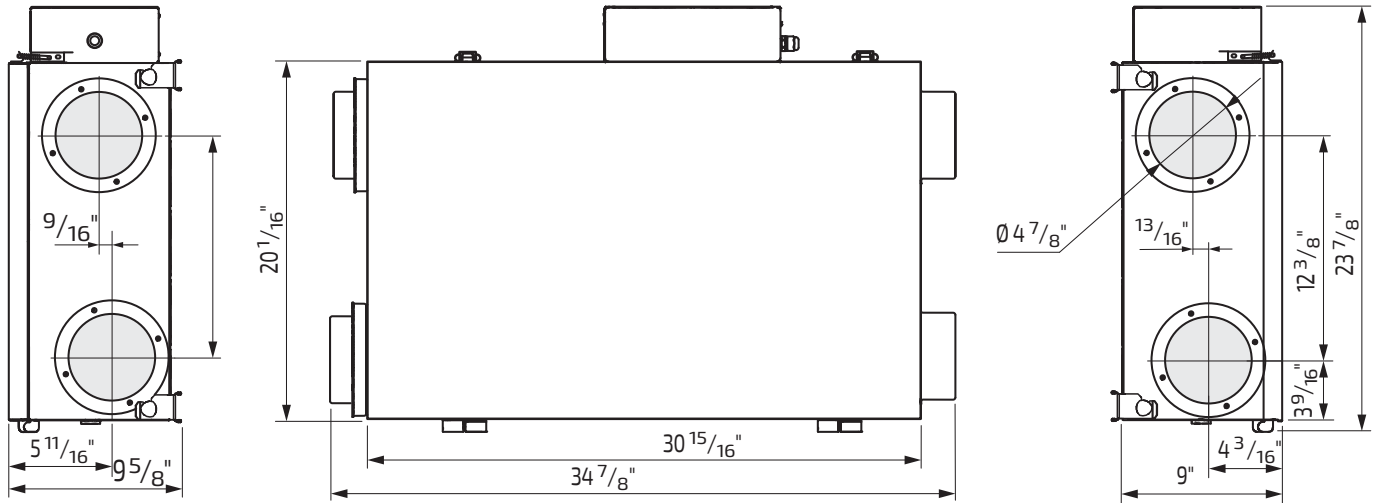


SOUND  
1.9 Sones (30 L/s @ 50 Pa)

| MODE    | SUPPLY TEMPERATURE |    | NET AIR FLOW |     | AVERAGE POWER | SENSIBLE RECOVERY EFFICIENCY | APPARENT SENSIBLE EFFECTIVENESS | NET MOISTURE TRANSFER |
|---------|--------------------|----|--------------|-----|---------------|------------------------------|---------------------------------|-----------------------|
|         | °C                 | °F | L/s          | CFM | (Watts)       | SRE (%)                      | ASEF (%)                        |                       |
| HEATING | 0                  | 32 | 30           | 64  | 86            | 60                           | 70                              | 0.05                  |
|         | 0                  | 32 | 45           | 95  | 114           | 57                           | 67                              | 0.04                  |
|         | 0                  | 32 | 50           | 106 | 126           | 55                           | 65                              | 0.04                  |
| COOLING | 35                 | 95 | 30           | 64  | 86            | 29                           | 61                              | 0.04                  |

| Model      | Volts        | Max. Watts | Max. Amps |
|------------|--------------|------------|-----------|
| HRV DR 120 | 120 V, 60 Hz | 158        | 1.3       |

DIMENSIONS



| MODEL | QUANTITY | COMMENTS | PROJECT       |
|-------|----------|----------|---------------|
|       |          |          | location:     |
|       |          |          | architect:    |
|       |          |          | engineer:     |
|       |          |          | contractor:   |
|       |          |          | submitted by: |

