

CEILEO DC 150

CEILING BATH FAN



Description

- The Ceileo fans are centrifugal exhaust fans for ceiling mounting in bathrooms and other utility spaces.
- The Ceileo fans are designed for long duct runs. The fans are compatible with 4" and 6" air ducts.

Benefits

- Low noise level
- Constant air flow
- High-performance DC motor
- Adjustable turn-off delay timer
- Adjustable mounting brackets
- Ready for plug-in humidity or motion sensing module (modules are sold separately)

Specification

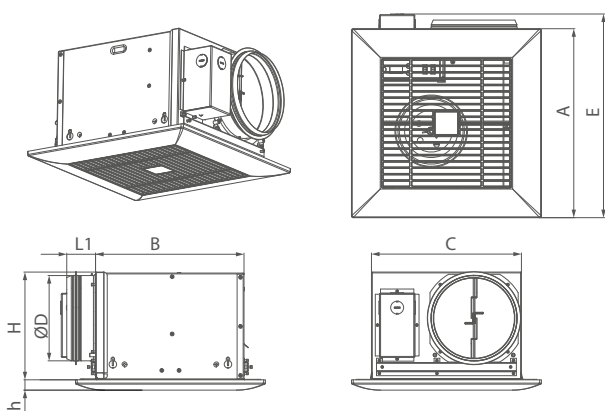
- Voltage: 120 V, 60 Hz
- Motor: DC motor
- Power consumption: 5 - 23 W
- Sones: 0.3 - 1
- Airflow capacity: up to 150 CFM
- Duct compatibility: Ø 4" and 6"
- IPX4 protection
- 24 months warranty

Performance

Static Pressure [in.W.G.]	0.1"	0.25"	0.1"	0.25"	0.1"	0.25"	0.1"	0.25"	0.1"	0.25"	0.1"	0.25"	0.1"	0.25"	0.1"	0.25"	0.1"	0.25"	0.1"	0.25"
Air Volume [CFM]	150	120	140	118	130	117	120	112	110	106	100	98	90	88	80	79	70	69	60	59
Noise [Sones]	1	0.8	0.9	0.8	0.8	0.8	0.7	0.7	0.7	0.7	0.6	0.6	0.5	0.5	0.5	0.5	0.4	0.4	0.3	0.3
Power consumption [W]	23	19	21	19	20	19	20	19	17	18	14	17	11	16	11	15	11	13	5	9
Energy efficiency [CFM/W]	6.5	6.3	6.7	6.2	6.5	6.2	6	5.9	6.5	5.9	7.1	5.8	8.2	5.5	7.3	5.3	6.4	5.3	12	6.6
Speed [rpm]	1100	1200	1067	1193	1033	1190	1000	1174	967	1154	933	1128	900	1095	867	1066	833	1033	800	1000
Max current [Amps]											0.4									
Power rating [V/Hz]											120 / 60									
SEC class											C									
Energy Star qualified											V									

Overall dimensions [in]

Model	D	d	L1	L2	A	B	C	E	H	h	a	b
Ceileo DC 150	5 ⁵⁵ / ₆₄	-	1 ³¹ / ₃₂	-	12 ⁶³ / ₆₄	10 ⁵ / ₃₂	10 ¹⁵ / ₆₄	15 ³⁵ / ₆₄	7 ¹³ / ₃₂	4 ⁵ / ₆₄	-	-



MODEL	QUANTITY	COMMENTS	PROJECT
			location:
			architect:
			engineer:
			contractor:
			submitted by: