

# CEILEO DC 110 H

## CEILING BATH FAN



### Description

- The Ceileo fans are centrifugal exhaust fans for ceiling mounting in bathrooms and other utility spaces.
- The Ceileo fans are designed for long duct runs. The fans are compatible with 4" and 6" plastic or flexible ducts.

### Benefits

- Low noise level
- Constant air flow
- High-performance DC motor
- Adjustable turn-off delay timer
- Connected humidity sensor
- Adjustable mounting brackets

### Specification

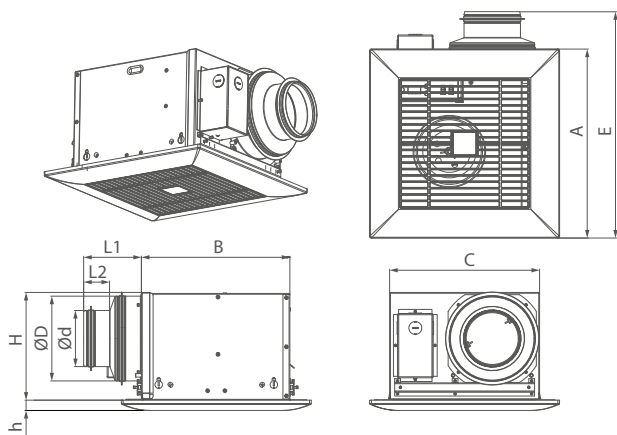
- Voltage: 120 V, 60 Hz
- Motor: DC motor
- Power consumption: 5 - 19 W
- Sones: 0.3 - 0.7
- Airflow capacity: up to 110 CFM
- Duct compatibility: Ø 4" and 6"
- IPX4 protection
- 24 months warranty

### Performance

| Static Pressure [in.W.G.] | 0.1" | 0.25" | 0.1" | 0.25" | 0.1" | 0.25" | 0.1"     | 0.25" | 0.1" | 0.25" | 0.1" | 0.25" |
|---------------------------|------|-------|------|-------|------|-------|----------|-------|------|-------|------|-------|
| Air Volume [CFM]          | 110  | 102   | 101  | 98    | 90   | 90    | 80       | 80    | 70   | 70    | 60   | 58    |
| Noise [Sones]             | 0.7  | 0.6   | 0.6  | 0.6   | 0.5  | 0.5   | 0.5      | 0.5   | 0.4  | 0.4   | 0.3  | 0.3   |
| Power consumption [W]     | 17   | 19    | 15   | 17    | 13   | 16    | 10       | 15    | 8    | 13    | 5    | 9     |
| Energy efficiency [CFM/W] | 6.5  | 5.4   | 6.7  | 5.8   | 6.9  | 5.6   | 8        | 5.3   | 8.8  | 5.4   | 12   | 6.4   |
| Speed [rpm]               | 1000 | 1200  | 964  | 1182  | 920  | 1145  | 880      | 1100  | 840  | 1055  | 800  | 1000  |
| Max current [Amps]        |      |       |      |       |      |       | 0.3      |       |      |       |      |       |
| Power rating [V/Hz]       |      |       |      |       |      |       | 120 / 60 |       |      |       |      |       |
| SEC class                 |      |       |      |       |      |       | C        |       |      |       |      |       |
| Energy Star qualified     |      |       |      |       |      |       | V        |       |      |       |      |       |

### Overall dimensions [in]

| Model           | D                               | d                               | L1                              | L2                              | A                                | B                               | C                                | E                                | H                               | h                              | a | b |
|-----------------|---------------------------------|---------------------------------|---------------------------------|---------------------------------|----------------------------------|---------------------------------|----------------------------------|----------------------------------|---------------------------------|--------------------------------|---|---|
| Ceileo DC 110 H | 5 <sup>53</sup> / <sub>64</sub> | 3 <sup>55</sup> / <sub>64</sub> | 3 <sup>15</sup> / <sub>16</sub> | 1 <sup>49</sup> / <sub>64</sub> | 12 <sup>63</sup> / <sub>64</sub> | 10 <sup>5</sup> / <sub>32</sub> | 10 <sup>15</sup> / <sub>64</sub> | 15 <sup>35</sup> / <sub>64</sub> | 7 <sup>13</sup> / <sub>32</sub> | 4 <sup>5</sup> / <sub>64</sub> | - | - |



| MODEL | QUANTITY | COMMENTS | PROJECT       |
|-------|----------|----------|---------------|
|       |          |          | location:     |
|       |          |          | architect:    |
|       |          |          | engineer:     |
|       |          |          | contractor:   |
|       |          |          | submitted by: |