

CEILEO DC 110

CEILING BATH FAN



Description

- The Ceileo fans are centrifugal exhaust fans for ceiling mounting in bathrooms and other utility spaces.
- The Ceileo fans are designed for long duct runs. The fans are compatible with 4" and 6" air ducts.

Benefits

- Low noise level
- Constant air flow
- High-performance DC motor
- Adjustable turn-off delay timer
- Adjustable mounting brackets
- Ready for plug-in humidity or motion sensing module (modules are sold separately)

Specification

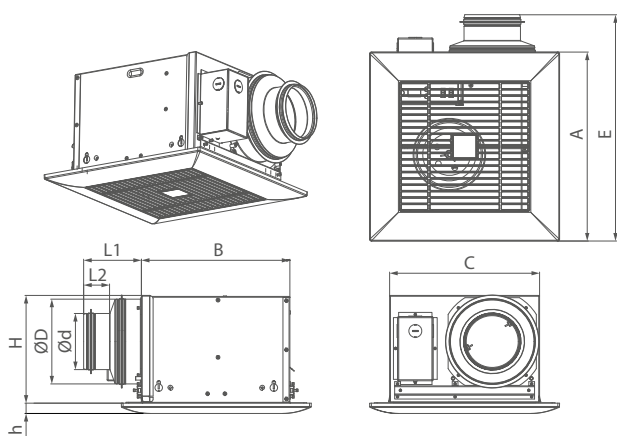
- Voltage: 120 V, 60 Hz
- Motor: DC motor
- Power consumption: 5 - 19 W
- Sones: 0.3 - 0.7
- Airflow capacity: up to 110 CFM
- Duct compatibility: Ø 4" and 6"
- IPX4 protection
- 24 months warranty

Performance

Static Pressure [in.W.G.]	0.1"	0.25"	0.1"	0.25"	0.1"	0.25"	0.1"	0.25"	0.1"	0.25"	0.1"	0.25"
Air Volume [CFM]	110	102	101	98	90	90	80	80	70	70	60	58
Noise [Sones]	0.7	0.6	0.6	0.6	0.5	0.5	0.5	0.5	0.4	0.4	0.3	0.3
Power consumption [W]	17	19	15	17	13	16	10	15	8	13	5	9
Energy efficiency [CFM/W]	6.5	5.4	6.7	5.8	6.9	5.6	8	5.3	8.8	5.4	12	6.4
Speed [rpm]	1000	1200	964	1182	920	1145	880	1100	840	1055	800	1000
Max current [Amps]							0.3					
Power rating [V/Hz]							120 / 60					
SEC class							C					
Energy Star qualified							V					

Overall dimensions [in]

Model	D	d	L1	L2	A	B	C	E	H	h	a	b
Ceileo DC 110	5 ⁵³ / ₆₄	3 ⁵⁵ / ₆₄	3 ¹⁵ / ₁₆	1 ⁴⁹ / ₆₄	12 ⁶³ / ₆₄	10 ⁵ / ₃₂	10 ¹⁵ / ₆₄	15 ³⁵ / ₆₄	7 ¹³ / ₃₂	4 ⁵ / ₆₄	-	-



MODEL	QUANTITY	COMMENTS	PROJECT
			location:
			architect:
			engineer:
			contractor:
			submitted by: