

CEILEO 130 LIGHT IR

CEILING BATH FAN



Description

- The Ceileo fans are centrifugal exhaust fans for ceiling mounting in bathrooms and other utility spaces.
- The Ceileo fans are designed for long duct runs. The fans are compatible with 4" and 6" air ducts.

Benefits

- Low noise level
- Reliable asynchronous double-speed motor
- Adjustable turn-off delay timer
- Connected motion sensor
- Energy-efficient LED light

Specification

- Voltage: 120 V, 60 Hz
- Motor: AC motor
- Power consumption: 23 - 35 W
- Sones: 0.5 - 0.8
- Airflow capacity: up to 155 CFM
- Duct compatibility: Ø 4" and 6"
- IPX4 protection
- Five-year warranty

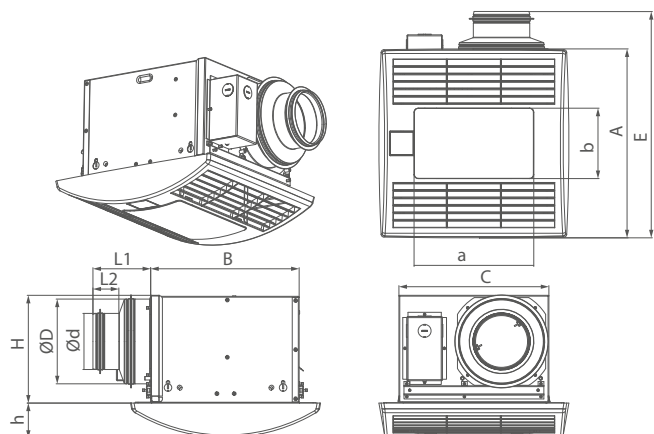
Performance

| SEC CLASS | Duct Dia | Speed | Energy Star qualified | Watts* | Amps* | RPM* | Sones* | CFM vs. Static Pressure in.W.G. | | | | | | | Max. Ps | Volts/Hz |
|-----------|----------|-------|-----------------------|--------|-------|------|--------|---------------------------------|------|------|-------|------|------|------|---------|----------|
| | | | | | | | | 0" | 0.1" | 0.2" | 0.25" | 0.3" | 0.4" | 0.5" | | |
| C | 4"/6" | HS | V | 35 | 0.3 | 1100 | 0.8 | 155 | 136 | 112 | 104 | 94 | 72 | 40 | 0.6 | 120/60 |
| | | LS | | 23 | 0.2 | 840 | 0.5 | 105 | 83 | 67 | 57 | 45 | 20 | - | 0.47 | |

* Indicated at 0.1 in.W.G.

Overall dimensions [in]

| Model | D | d | L1 | L2 | A | B | C | E | H | h | a | b |
|---------------------|---------------------------------|---------------------------------|---------------------------------|---------------------------------|----------------------------------|---------------------------------|----------------------------------|----------------------------------|---------------------------------|--------------------------------|--------------------------------|---------------------------------|
| Ceileo 130 Light IR | 5 ⁵³ / ₆₄ | 3 ⁵⁵ / ₆₄ | 3 ¹⁵ / ₁₆ | 1 ⁴⁹ / ₆₄ | 12 ⁶³ / ₆₄ | 10 ⁵ / ₃₂ | 10 ¹⁵ / ₆₄ | 15 ³⁵ / ₆₄ | 7 ¹³ / ₃₂ | 2 ⁷ / ₁₆ | 8 ³ / ₁₆ | 4 ²⁷ / ₃₂ |



| MODEL | QUANTITY | COMMENTS | PROJECT |
|-------|----------|----------|---------------|
| | | | location: |
| | | | architect: |
| | | | engineer: |
| | | | contractor: |
| | | | submitted by: |