

# CEILEO DC 110 IR

## CEILING BATH FAN



### Description

- The Ceileo fans are centrifugal exhaust fans for ceiling mounting in bathrooms and other utility spaces.
- The Ceileo fans are designed for long duct runs. The fans are compatible with 4" and 6" air ducts.

### Benefits

- Low noise level
- Constant air flow
- High-performance DC motor
- Adjustable turn-off delay timer
- Connected motion sensor

### Specification

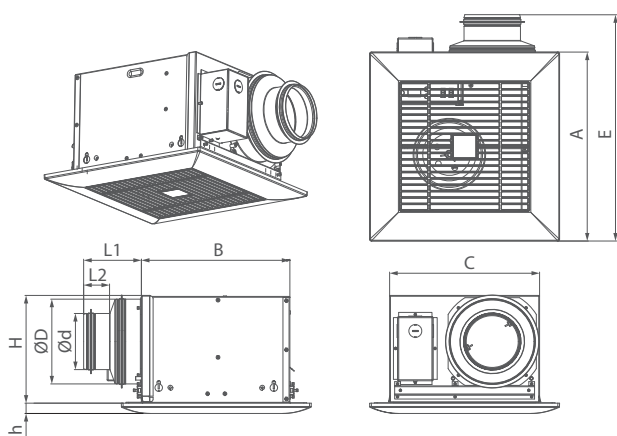
- Voltage: 120 V, 60 Hz
- Motor: DC motor
- Power consumption: 5–19 W
- Sones: 1.09–1.36
- Airflow capacity: up to 110 CFM
- Duct compatibility: Ø 4" and 6"
- IPX4 protection
- 24 months warranty

### Performance

Static Pressure [in.W.G.]	0.1"	0.25"	0.1"	0.25"	0.1"	0.25"	0.1"	0.25"	0.1"	0.25"	0.1"	0.25"
Air Volume [CFM]	110	102	101	98	90	90	80	80	70	70	60	58
Noise [Sones]	1.36	-	1.31	-	1.26	-	1.20	-	1.15	-	1.09	-
Power consumption [W]	17	19	15	17	13	16	10	15	8	13	5	9
Energy efficiency [CFM/W]	6.5	5.4	6.7	5.8	6.9	5.6	8	5.3	8.8	5.4	12	6.4
Speed [rpm]	1000	1200	964	1182	920	1145	880	1100	840	1055	800	1000
Max current [Amps]	0.3											
Power rating [V/Hz]	120 / 60											
Energy Star qualified	V											

### Overall dimensions [in]

Model	D	d	L1	L2	A	B	C	E	H	h	a	b
Ceileo DC 110 IR	5 <sup>53</sup> / <sub>64</sub>	3 <sup>55</sup> / <sub>64</sub>	3 <sup>15</sup> / <sub>16</sub>	1 <sup>49</sup> / <sub>64</sub>	12 <sup>63</sup> / <sub>64</sub>	10 <sup>5</sup> / <sub>32</sub>	10 <sup>15</sup> / <sub>64</sub>	15 <sup>35</sup> / <sub>64</sub>	7 <sup>13</sup> / <sub>32</sub>	4 <sup>5</sup> / <sub>64</sub>	-	-



MODEL	QUANTITY	COMMENTS	PROJECT
			location:
			architect:
			engineer:
			contractor:
			submitted by: