

CEILEO 110

CEILING BATH FAN



Description

- The Ceileo fans are centrifugal exhaust fans for ceiling mounting in bathrooms other utility spaces.
- The Ceileo fans are designed for long duct runs. The fans are compatible with 4" and 6" air ducts.

Benefits

- Low noise level
- Reliable asynchronous double-speed motor
- Adjustable mounting brackets

Specification

- Voltage: 120 V, 60 Hz
- Motor: AC motor
- Power consumption: 16–27 W
- Sones: 0.7–1.8
- Airflow capacity: up to 113 CFM
- Duct compatibility: Ø 4" and 6"
- IPX4 protection
- Five-year warranty

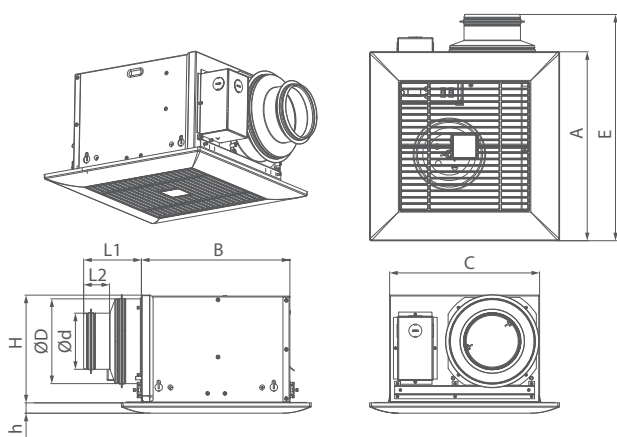
Performance

Duct Dia	Speed	Energy Star qualified	Watts*	Amps*	RPM*	Sones*	CFM vs. Static Pressure in.W.G.							Max. Ps	Volts/Hz
							0"	0.1"	0.2"	0.25"	0.3"	0.4"	0.5"		
4"/6"	HS	V	27	0.23	1036	1.8	113	103	87	77	63	46	18	0.54	120 / 60
	LS		16	0.17	854	0.7	70	55	37	30	18	-	-		

* Indicated at 0.1 in.W.G.

Overall dimensions [in]

Model	D	d	L1	L2	A	B	C	E	H	h	a	b
Ceileo 110	5 53/64	3 55/64	3 15/16	1 49/64	12 63/64	10 5/32	10 15/64	15 35/64	7 13/32	45/64	-	-



MODEL	QUANTITY	COMMENTS	PROJECT
			location:
			architect:
			engineer:
			contractor:
			submitted by: